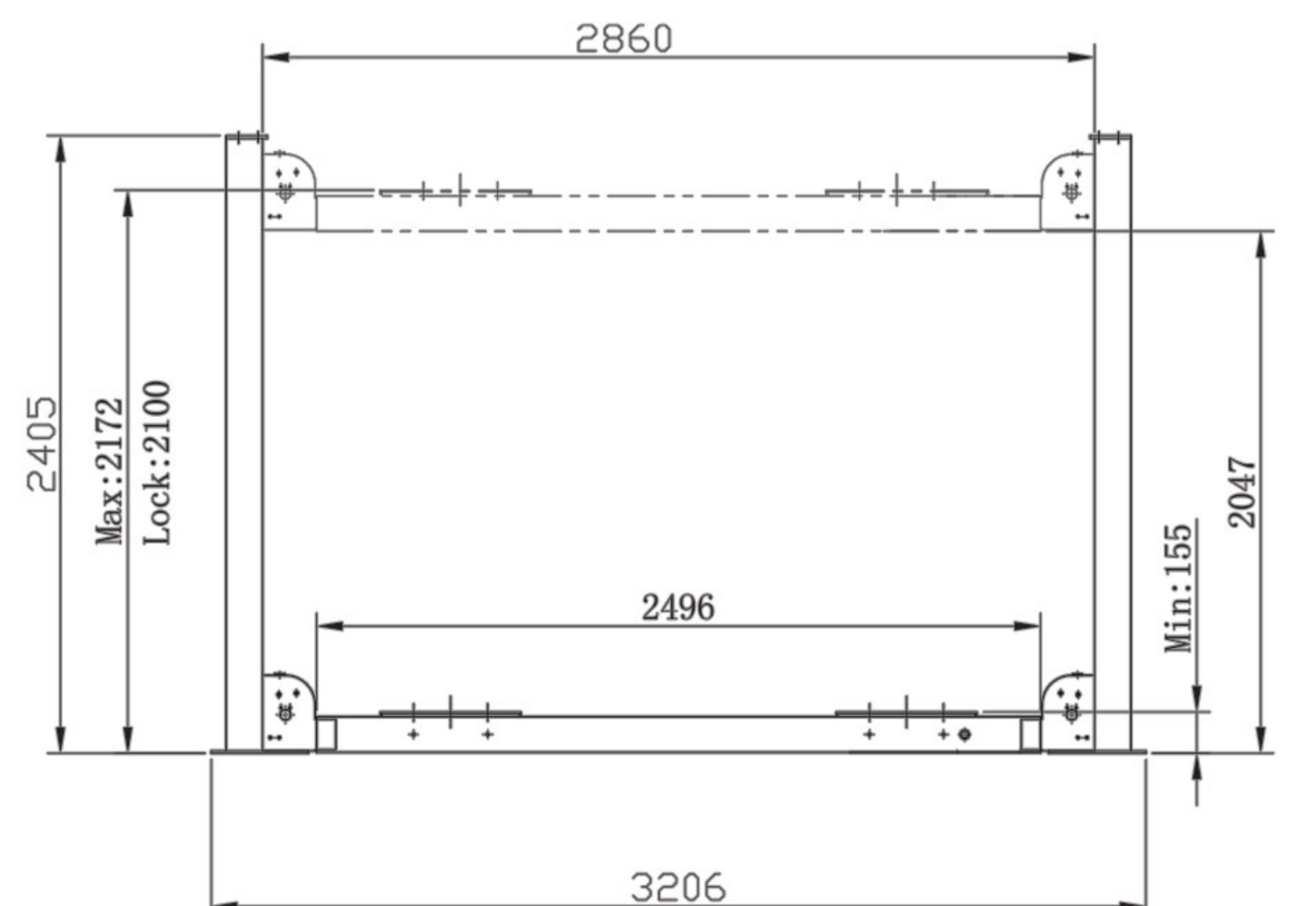
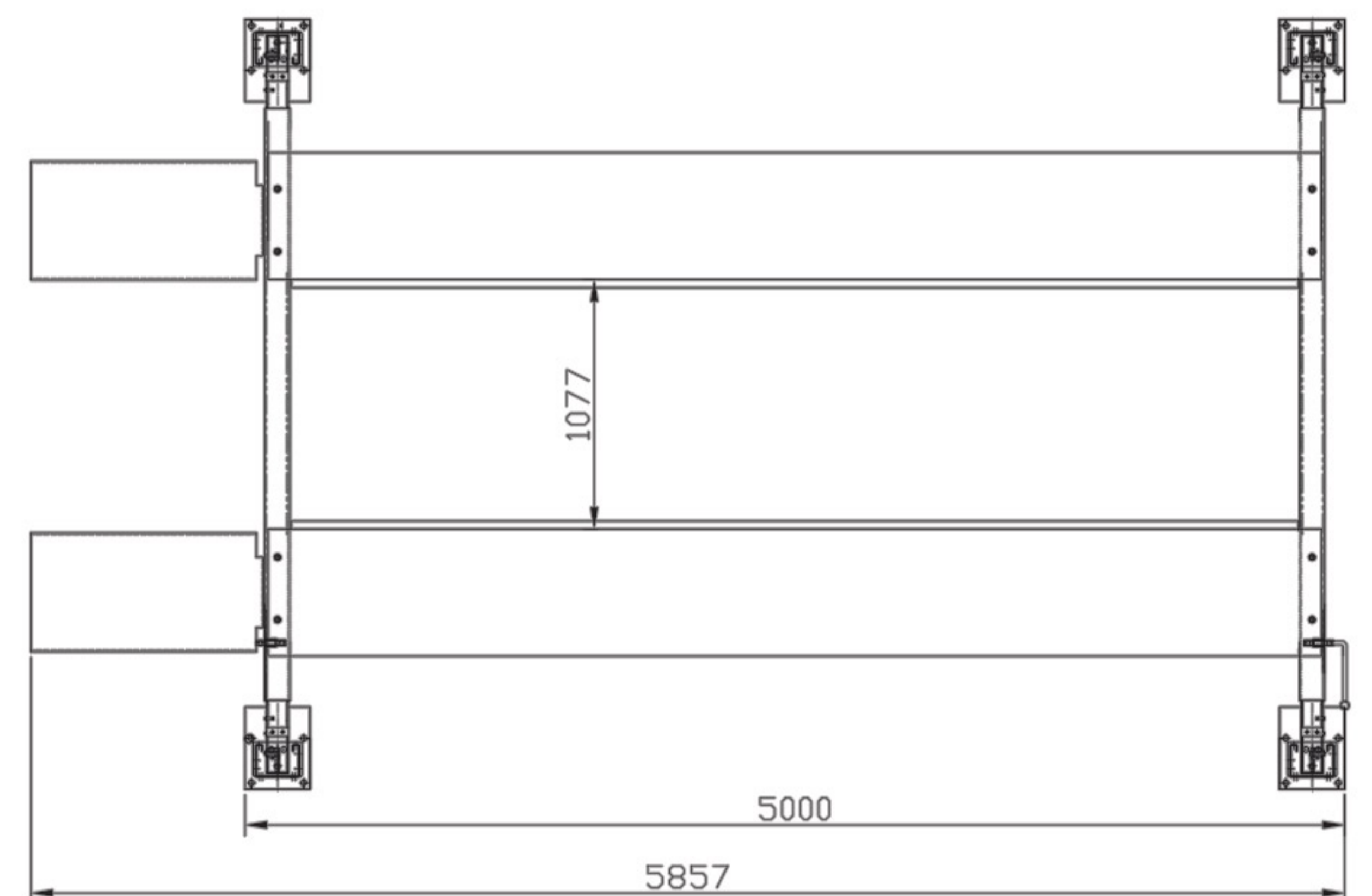




FEATURES

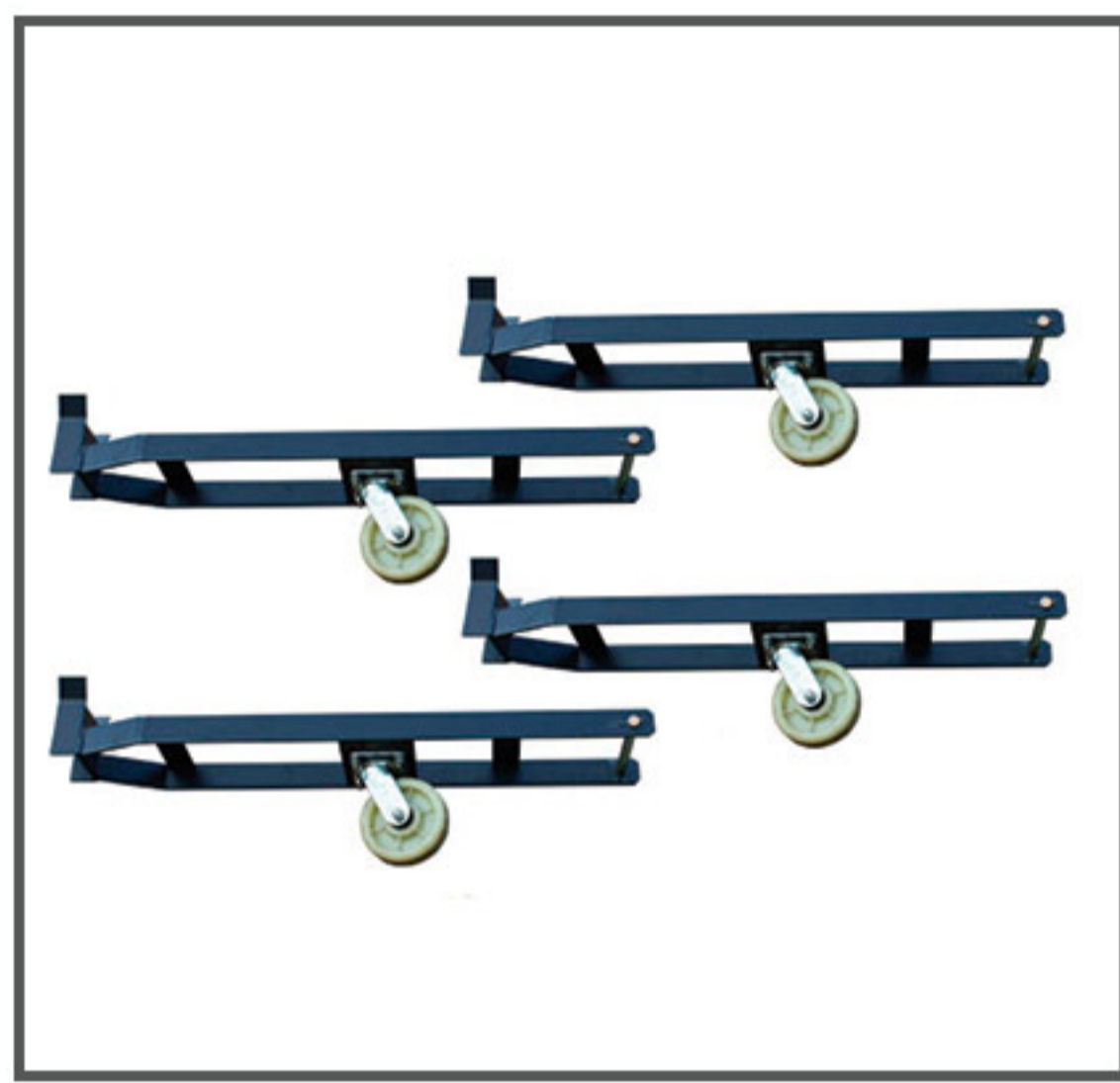
- 9,000 Lb. capacity
- IndyPro exclusive hidden safety locks and manual single-point release device
- Double-"S" shape columns to increase the columns strength
- Commercial double safety locks
- Skid proof diamond platform
- Flexible design
 Powerside column can be installed at each corner 220V single phase power unit
- Designed portable, it can be moved easily by using caster kits
- 5-Year structure, 2-year hydraulic warranty



// SPECIFICATIONS

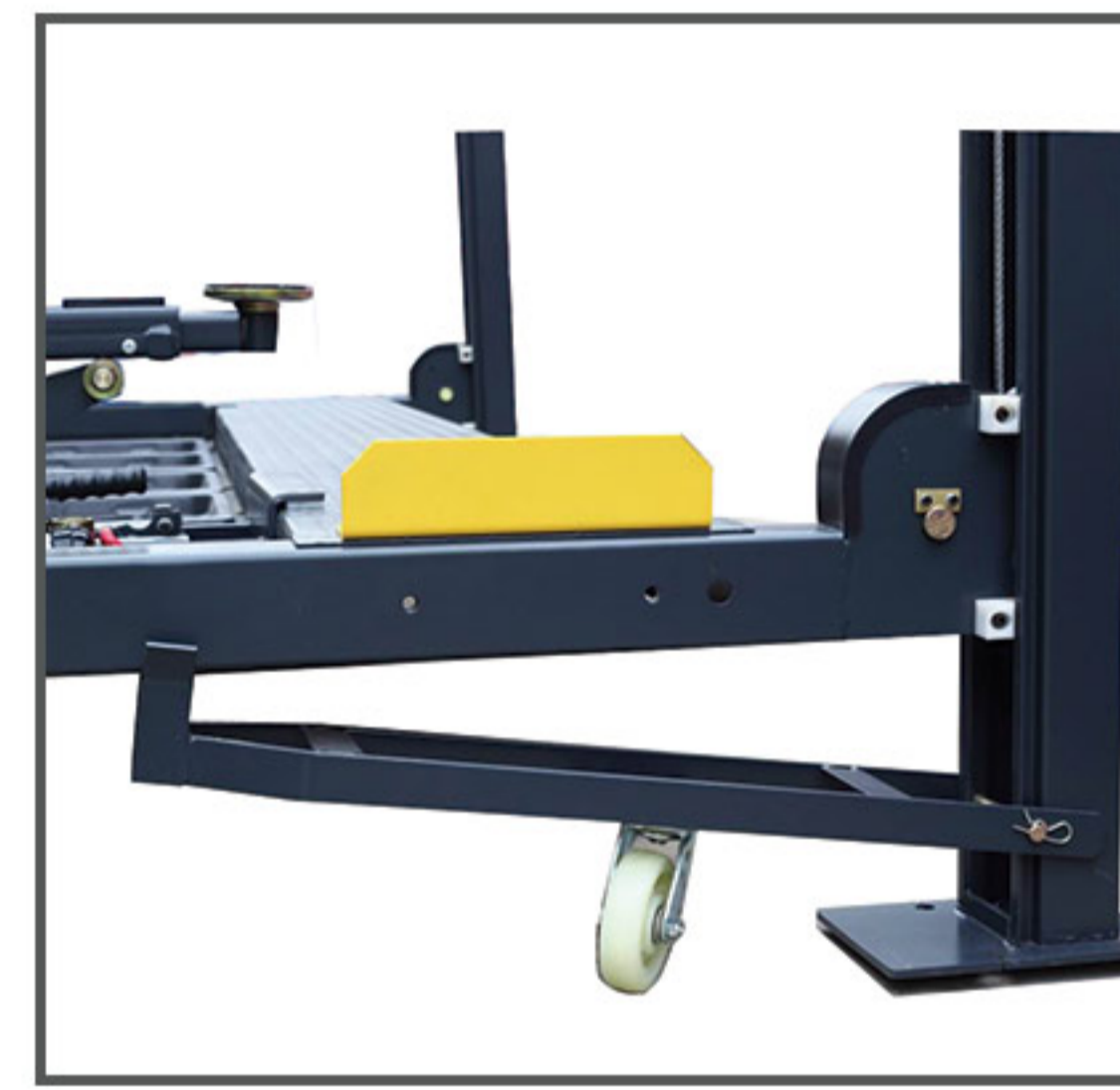
Model	Lifting Capacity	Lifting Time	A	B	C	D	E	F	G	H	Gross Weight	Motor
			Overall Length (Inc Ramps)	Overall Length (No Ramps)	Overall Width	Width Between Columns	Lifting Height	Overall Height	Width between platforms	Platforms outer width		
TFP09-H	4.0T (9,000 lbs.)	98 Seconds	5557 mm (218 3/4")	4700 mm (185)	3206mm (126 1/4")	2880mm (112 5/8")	1872mm (73 3/4")	2105mm (82 7/8")	1077mm (42 3/8")	2093mm (82 3/8")	941 Kg (2,075 lbs.)	220V/3.0 HP
TFP09-HP	4.0T (9,000 lbs.)	98 Seconds	5857 mm (230 5/8")	5000 mm (196 7/8")	3206mm (126 1/4")	2880mm (112 5/8")	2172mm (85 1/2")	2405mm (94 5/8")	1077mm (42 3/8")	2093mm (82 3/8")	990 Kg (2,183 lbs.)	220V/3.0 HP

// LIFTS INCLUDE THE FOLLOWING

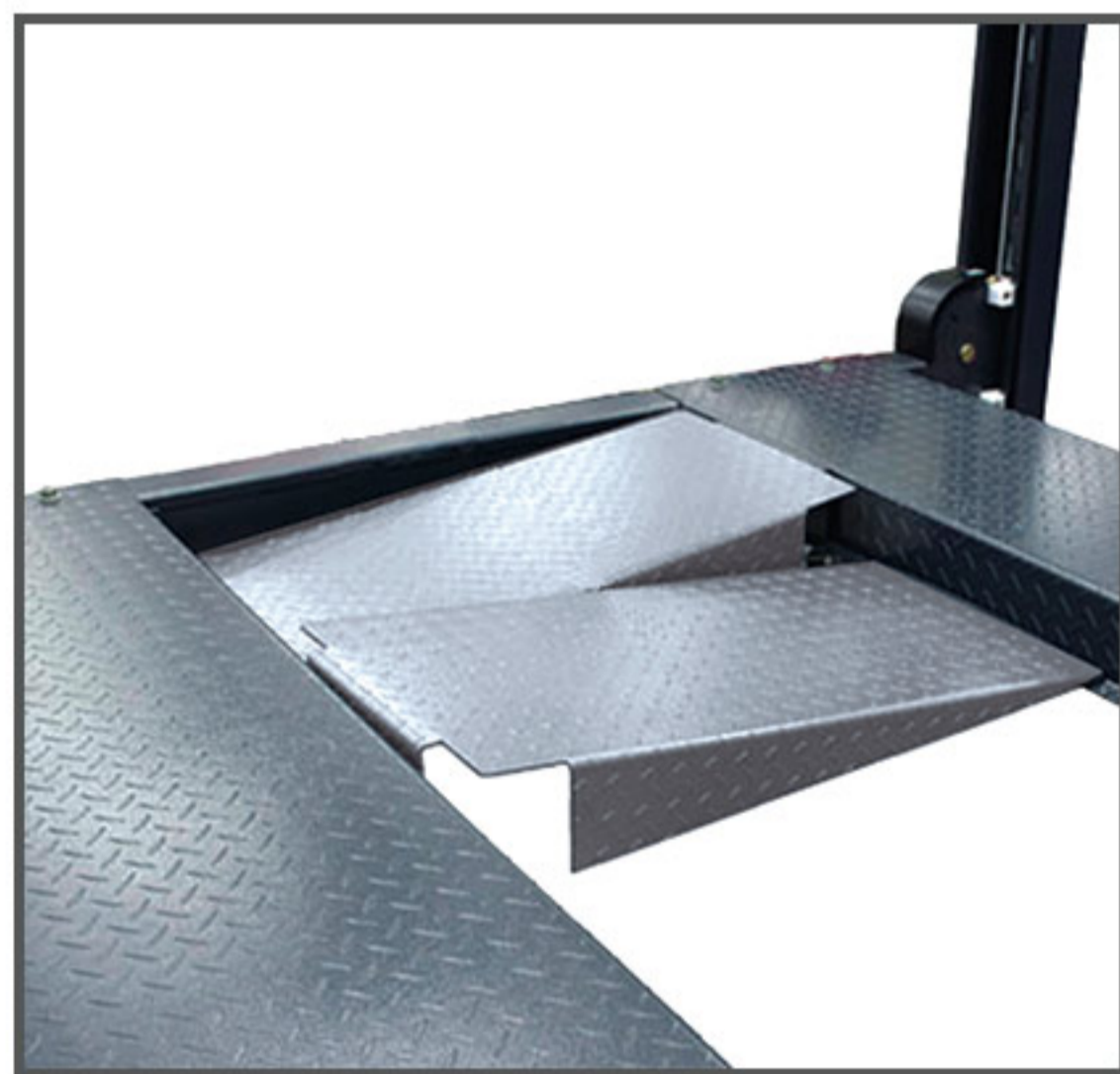


Caster Kits for moving the parking lift easily

Kits No: 410037A



Each 4-post parking lift need 4 pcs of caster kits.



Aluminum alloy drive-in ramps
Weight for one set (2 pcs) only 18kg

Kits No: 410098



Optional part

Rolling Jack J6H for TFP09-H / HP
The rolling Jack J6H comes with a hand pump 1.5" and 2.5" extension adapters.
This is the same rolling Jack use for our general service four post lifts.

Capacity: 6,000 Lbs. (2.8T)



Plastic Drip tray Set (set of 4)

Kit No: 410095

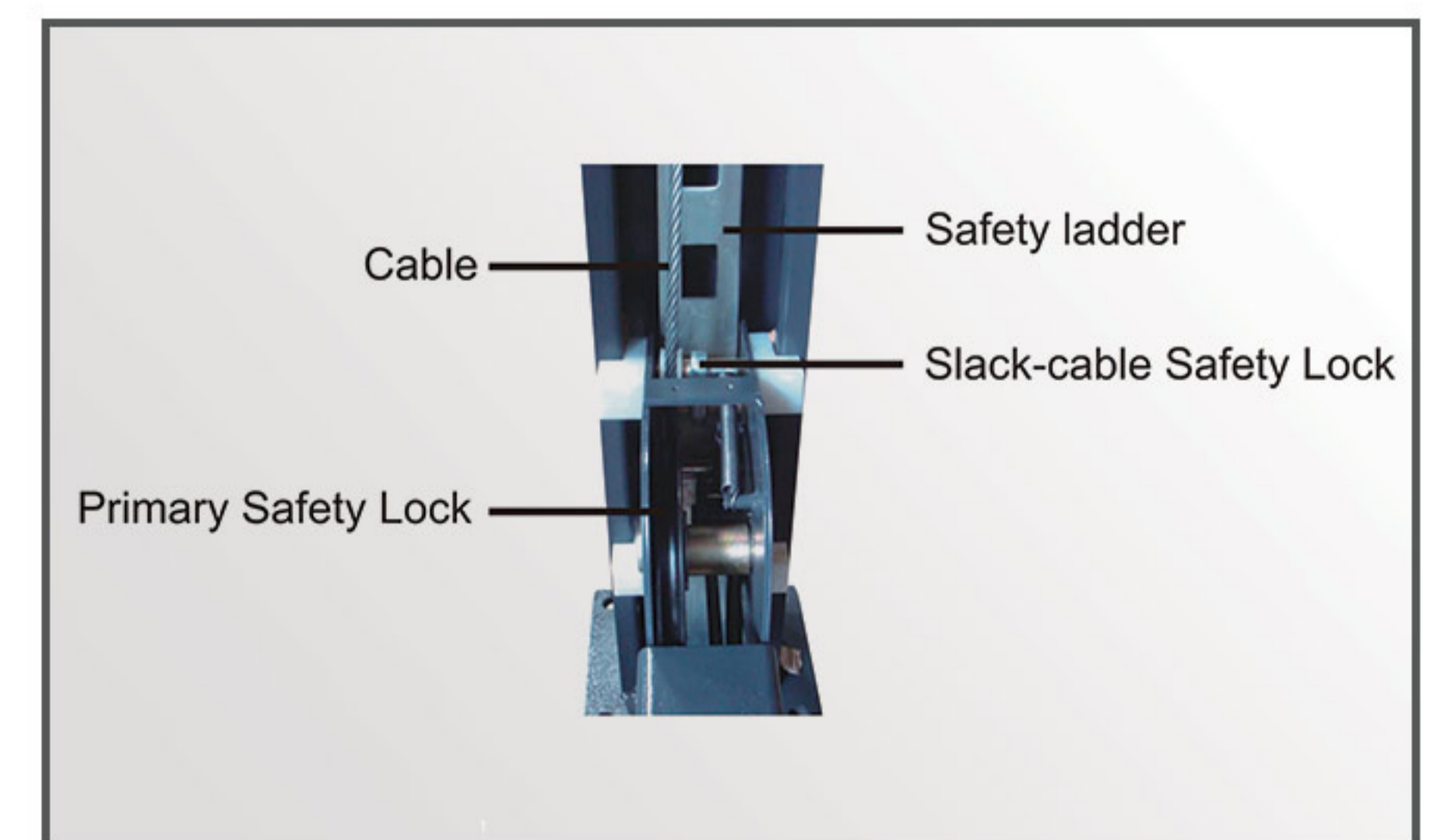
// FEATURES



Hidden locking device and manual single-point safety lock release



Double - S shape column



Commercial double safety locks