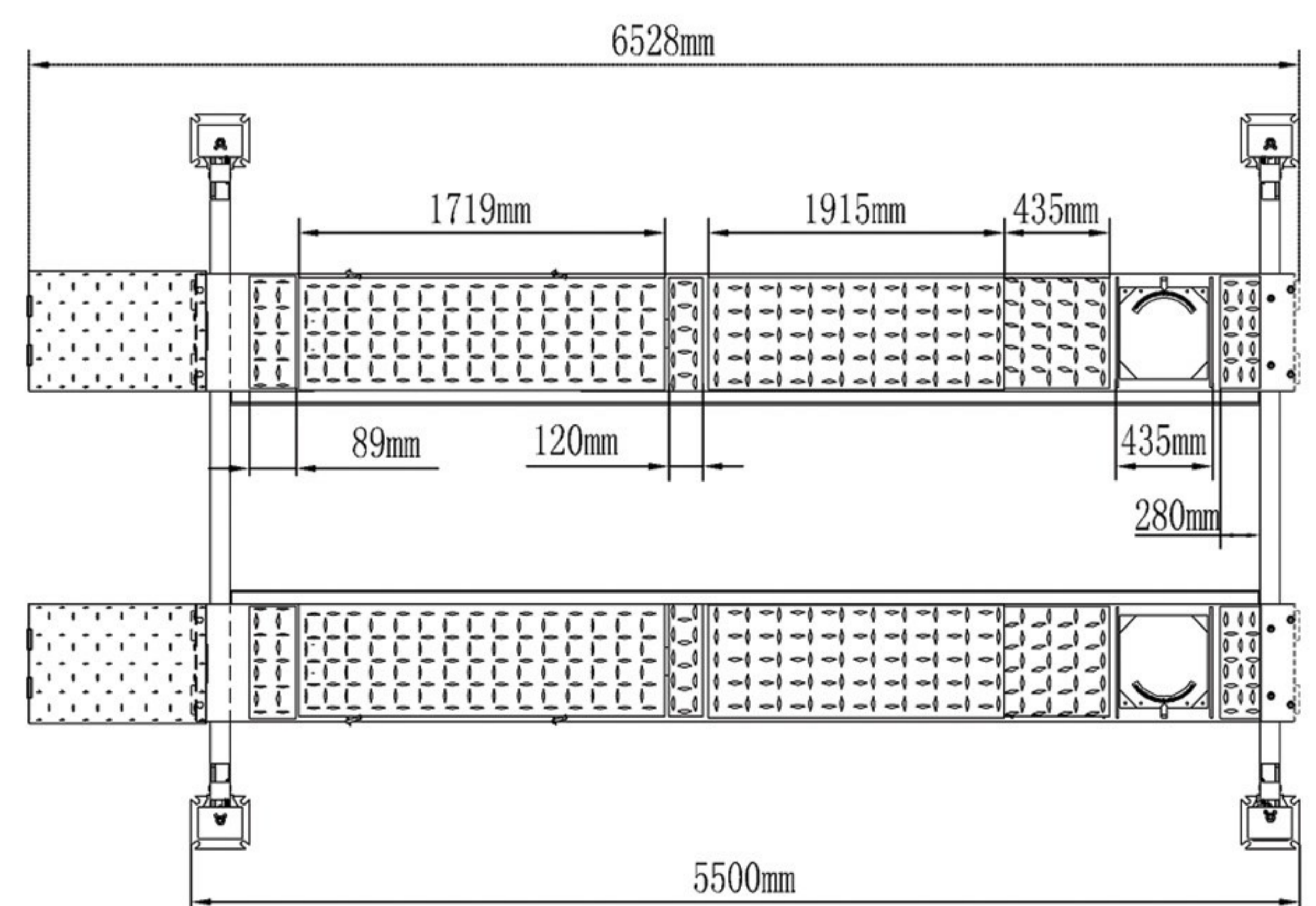
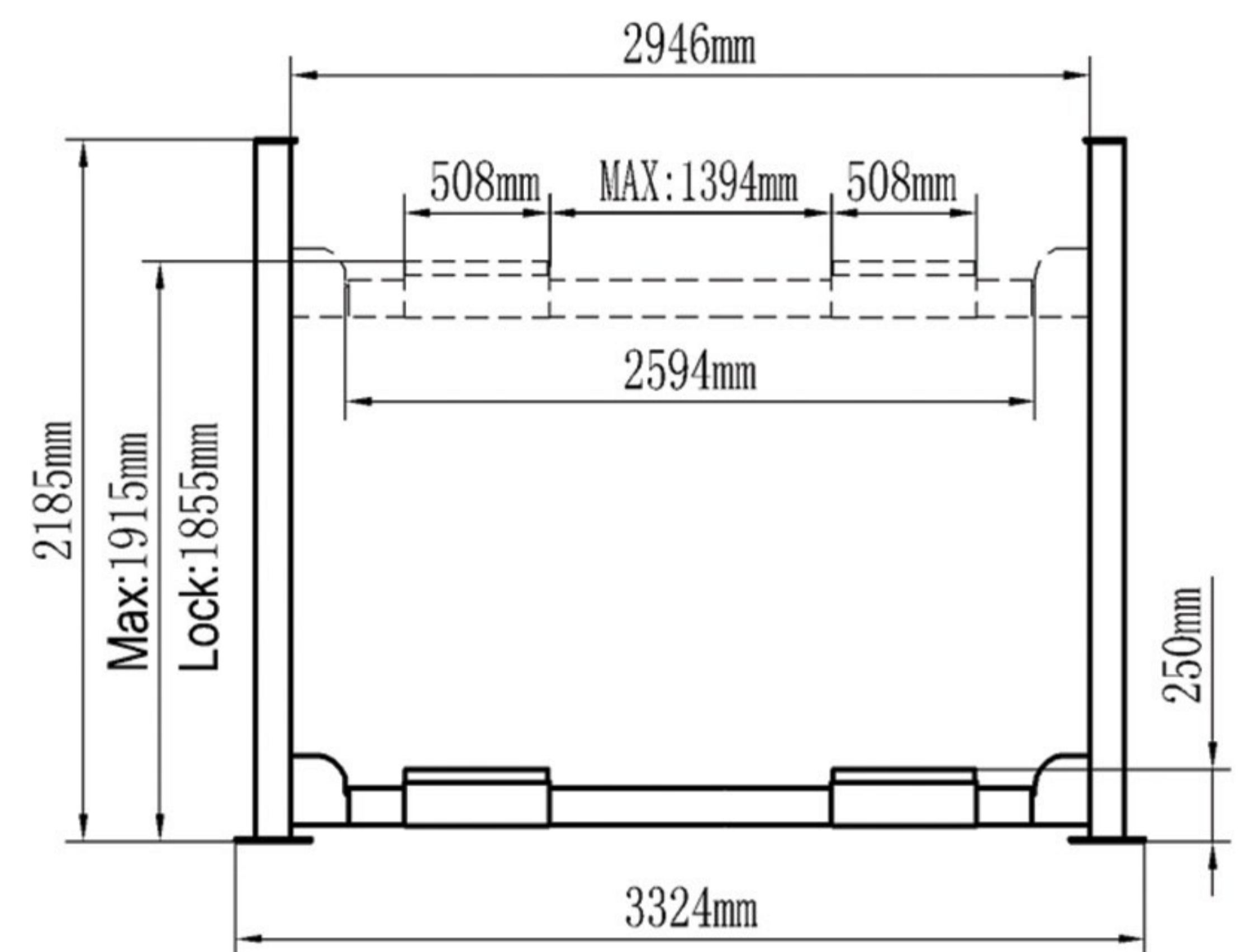




## FEATURES

- Heavy-Duty 4-Post Lift with 14,000 lbs. lifting capacity
- Electric-air control operation system
- Mechanical self-lock and air-driven safety release
- Electrical hydraulic power system, cable-driven
- Skid proof diamond platform
- Two adjustable turnable positions to accommodate different wheel base
- Adjustable platform and adjustable safety lock ladders
- Dual safety device : In case the primary safety locks are out of operation, the lift would also be locked automatically by a second safety device





## // SPECIFICATIONS

Model	Lifting Capacity	Lifting Time	A	B	C	D	E	Gross Weight	Motor
			Overall Length (Inc Ramps)	Overall Length (No Ramps)	Overall Width	Width Between Columns	Lifting Height		
TFP14	6.5T (14,000lbs.)	60 Second	6541 mm (257 1/2")	5500 mm (216 1/2")	3324mm (130 7/8")	2946mm (116")	1865mm (73 1/2")	1250 Kg (2,756 lbs.)	4.0 HP
TFP14A	6.5T (14,000lbs.)	60 Second	6528 mm (257")	5500 mm (216 1/2")	3324mm (130 7/8")	2946mm (116")	1915 mm (75 3/8")	1506 Kg (3,320 lbs.)	4.0 HP

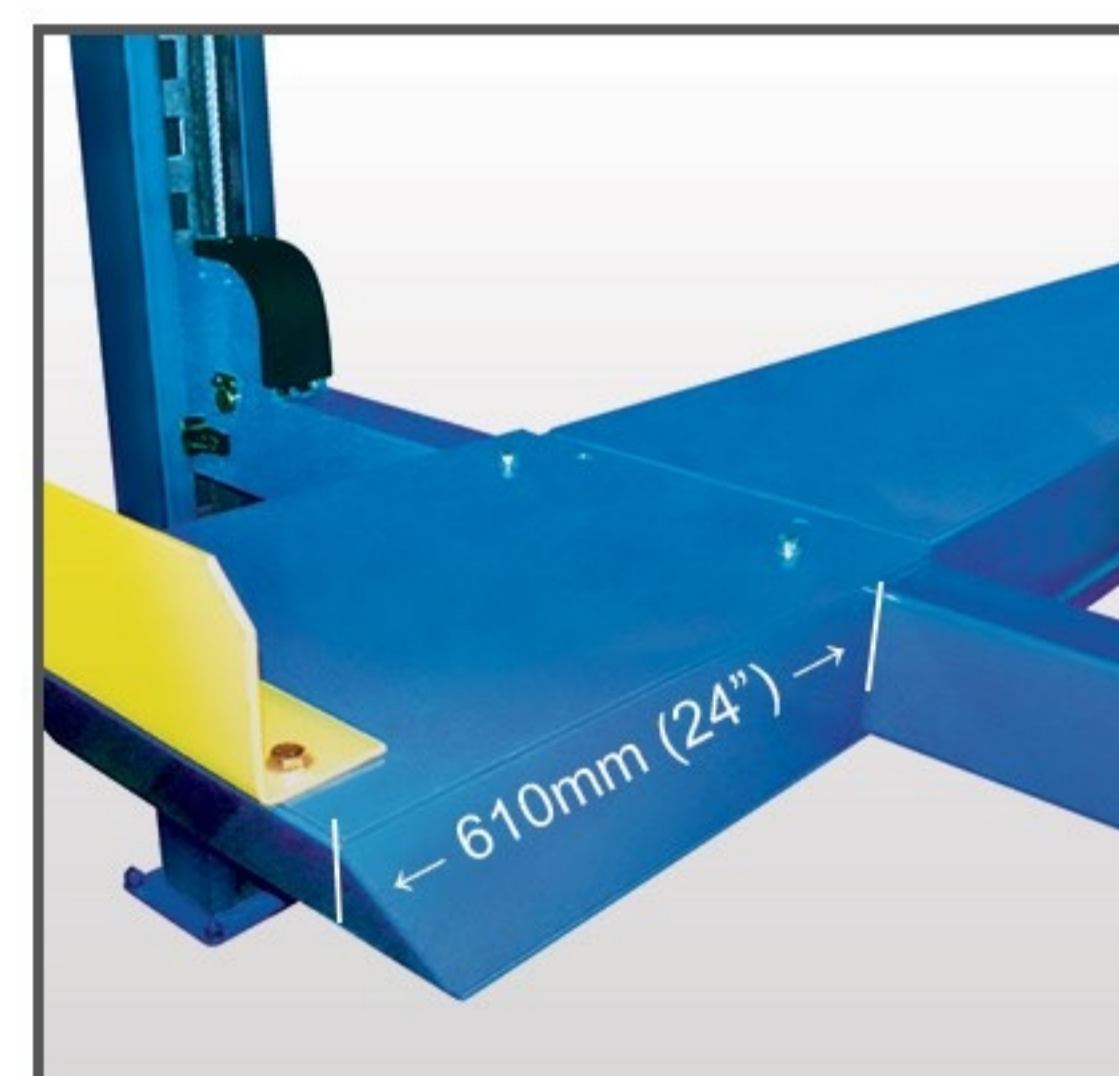
## // DETAILS



### EXCLUSIVE FEATURE!

#### Electric Control Device With UP LOCK and DOWN buttons

With C.E. stop switch at 300 mm from ground and alarm tone when lowering down from 300 mm to ground make the lift more safety.



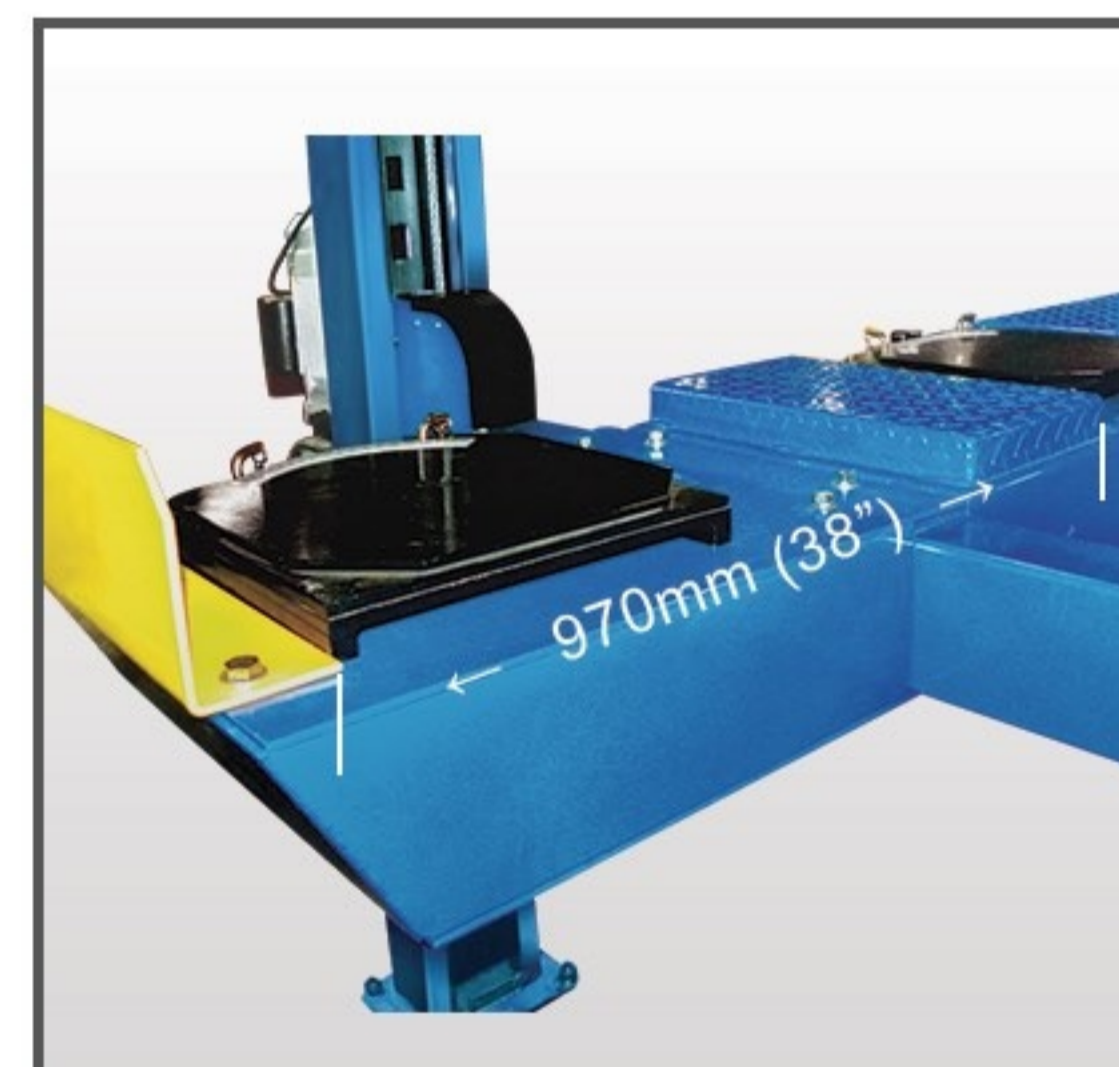
### Optional

Extension platform for model TFP14 to add the length of platform up to 610mm (24")

Extension kits for model TFP14 and TFP14A



Even though all cylinders are flow restricted inside, we are adding the flow controlled valve to control the lowering speed for the heavy-duty line four post lifts model TFP14 and TFP14A



### Optional

Extension platform for model TFP14A to add the wheel base for alignment up to 970mm(38")



Oil-water separator and Solenoid Air Valve are installed outside the control box



### Optional Air Line Kits

All four post lifts are designed to use the air line kits for rolling jack. kits No: 40102



### Optional

Rolling Jack RJ-7A with SPX Air pump and 1.5" 3" extension adapters included  
Capacity: 7,000 Lbs. (3.2T)



### Optional Turnplate

Each Alignment lifts need one set (two pcs.) of turnplates  
kits No. : 40101