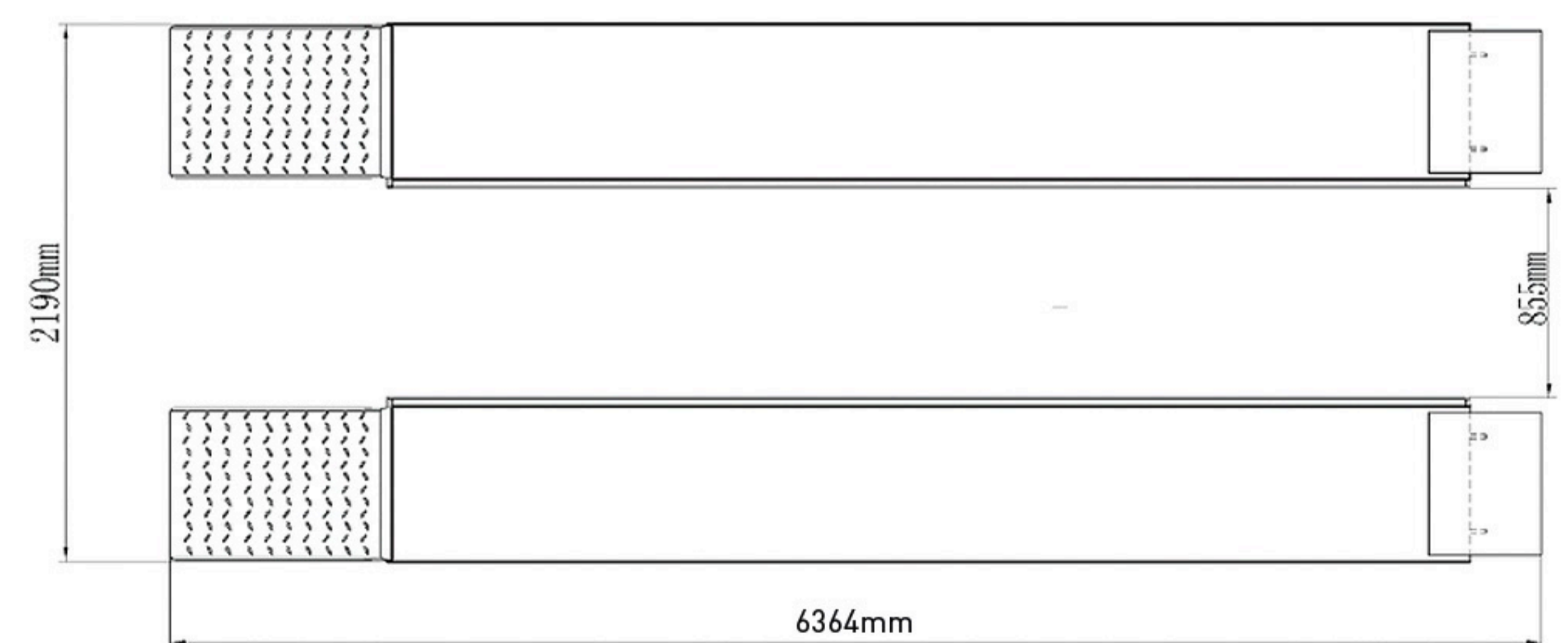
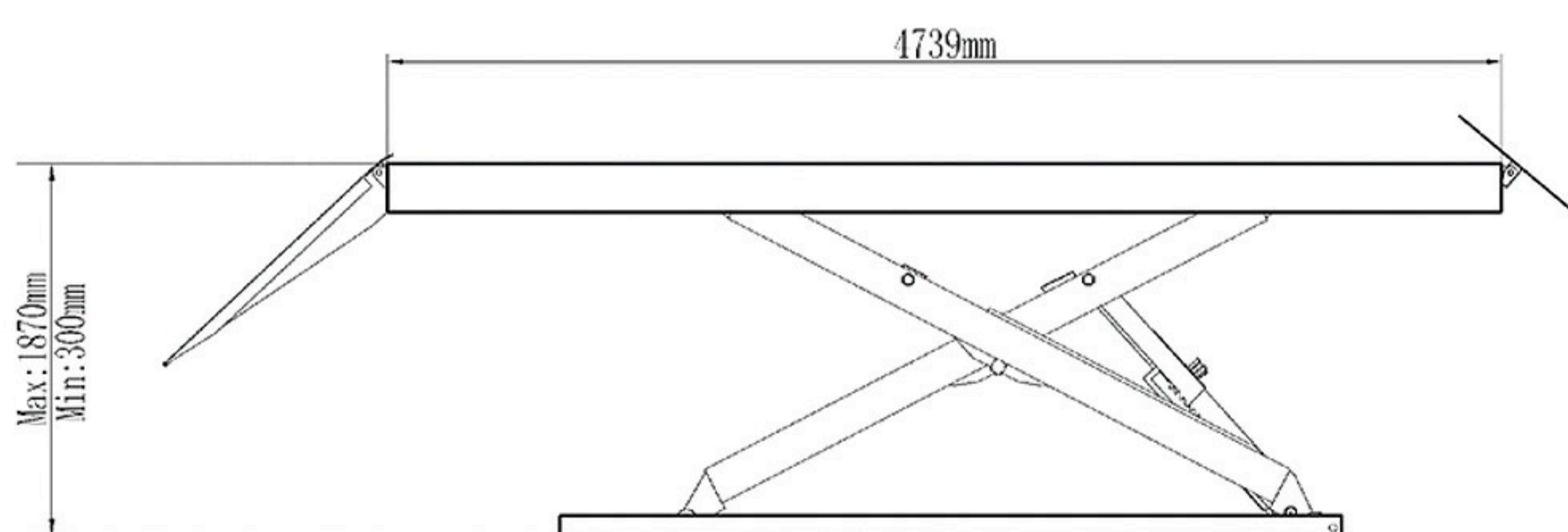




IndyPro Scissors lifts, the same as IndyPro's other lifts, adhere to the principle of safety, durability, convenience and best performance. By the strict control of design, material-selection, manufacturing and examination, assure IndyPro Scissors lifts offer you the best quality.

FEATURES

- Dual synchronous cylinders are applied to assure the lifting level on both Platforms
- Electro-air control system, mechanical safety locks
- Skid proof diamond runway
- Integrated rear slip-plates
- Heavy duty design, the X serial scissors lifts use 150 x75mm tube to make it strong and assure the runways remain level during working
- Optional Jack and Turnplate



SPECIFICATIONS

Model	Lifting Capacity	Lifting Time	A		B	C	D	E	Gross Weight	Motor
			Lifting Height	Minimum Height	Runway Length	Overall Width	Runway Width	Overall Length (Inc. Ramps)		
TLX09A	4.0T (9,000 lbs)	55 Second	1870 mm (73 5/8")	300mm (11 3/4")	4739 mm (186 1/2")	2190 mm (86 1/4")	625 mm (24 5/8")	6364 mm (250 1/2")	1938kg (4,263 lbs)	4.0HP



Electro-air Safety Device



Shelf For Service



Optional Turnplate



New rear-slip ball sets